

Emergency Escape and Egress Openings

General

Section R310 of the 2016 California Residential Code regulates emergency escape and rescue openings in residential buildings. The intent of this section is so that rescue can be accessed from the exterior or, alternatively, by which one may escape from that room to the exterior of the building, without having to travel through the building itself.

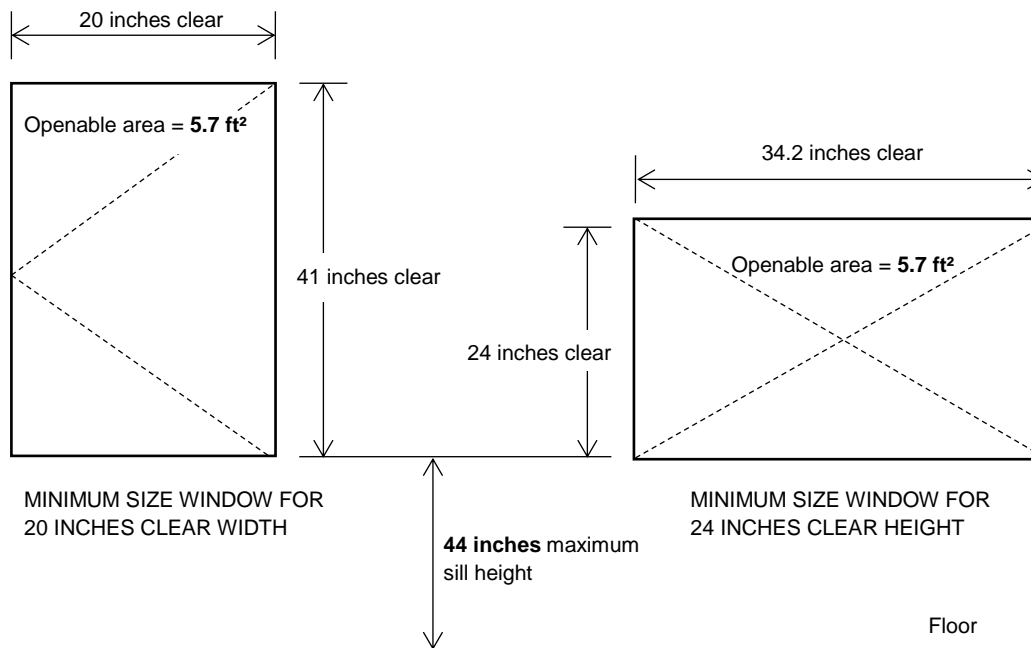
Location

Basement, habitable attics and every sleeping room shall have at least one openable emergency escape and rescue opening. Where basements contain more than one sleeping room, emergency egress openings shall be required in each sleeping room. Such openings shall open directly into a public way, or to a yard or court that opens to a public way.

Types and Sizes Allowed

Emergency escape and rescue openings shall meet the following characteristics:

- Be operational from the inside of the room.
- Be of a usual type such as double-hung.
- Horizontal sliding or casement window operated by the turn of a crank.
- Do not require special knowledge or effort to operate.
- Provide a net clear opening width of 20 inches and 24 inches net cleared in height.
- Have a minimum net clear opening size of 5.7 ft²
Exception: 5 ft² allowed at grade level. In existing construction, the window sill height shall be lowered to the current standards to use this exception.
- Window sill located no more than 44 inches above the floor on the interior side.



Minimum Width/Height Requirements for Emergency Escape and Rescue Windows (inches)

Width	20	20.5	21.5	21.5	22	22.5	23	23.5	24	24.5	25	25.5	26	26.5	27
Height	41	40	39.1	38.2	37.3	36.5	35.7	34.9	34.2	33.5	32.8	32.2	31.6	31	30.4
Width	27.5	28	28.5	29	29.5	30	30.5	31	31.5	32	32.5	33	33.5	34	34.2
Height	29.8	29.3	28.8	28.3	27.8	27.4	26.9	26.5	26.1	25.7	25.3	24.9	24.5	24.1	24

Bars, grills, grates, covers and screens shall comply with Title 24, Part 12, Chapter 12-3 and CRC Section R310.4.